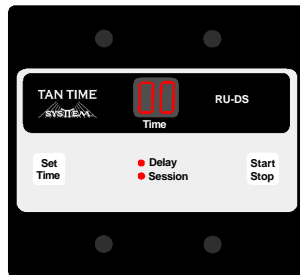


# TAN TIME

# SYSTEM™



Room Unit

## TanTime™ Room Unit XM Timer Hookup Instructions

**Digital Tanning Bed Timer Control Systems  
for Complete Salon Control**

© 2002 EPaD™, Inc. All rights reserved -----

Electronic Programming and Design, Inc. (EPaD™) and the TanTime™ Division retains all ownership rights to all their products, and the contents of this manual. The source code for firmware and the electronic circuitry design are the confidential trade secrets of EPaD™. You may not attempt to decipher, decompile, develop, or otherwise reverse engineer EPaD™ firmware or products. Information necessary to achieve interoperability is furnished upon request.

The information in the manual is furnished for informational use only, is subject to change without notice, and should not be construed as commitment by EPaD™. EPaD™ assumes no responsibility or liability for any errors or inaccuracies that may appear in this manual. No part of this manual may be reproduced, stored in a retrieval system, or transmitted, in any form or by any means, electronic, mechanical, recording, or otherwise, without the express written permission by EPaD™.

Existing artwork or images that you may desire to scan may be protected by copyright law. Be sure to obtain permission for use of existing artwork.

Trademarks: These products carry the trademark of TanTime™ and EPaD™. All the trademarks of component parts used by TanTime™/EPaD™ in the manufacture of these products are the property of the respective owners. The TanTime™ Logo and System™ name and Logo are registered trademarks of EPaD™. T-Max® and 3A® are registered trademarks of Applied Digital, Inc. (ADI) and are in no way associated with TanTime™. CompuSUN® and Intellitan® are registered trademarks of SunErgoline, inc. and are in no way associated with TanTime™ or EPaD™. All other brand or product names are trademarks or registered trademarks of their respective companies or organizations.

Written, designed, and illustrated by Electronic Programming and Design, Inc. P.O. Box 81163, Seattle, WA 98108, USA.

## **Manufacturers Statement**

### **Limited Warranty, Disclaimer, Limitation of Liability**

EPaD™ warrants its products to be free of manufacturing defects, defects in materials and defects in workmanship for the lifetime of the products. TanTime™ Products are warranted against normal wear and tear for a period of 12 months from the date of initial purchase. This warranty will not be honored if there has been any attempt to tamper with or remove the external seal, which is intended to preclude tampering with this product's digital or other components. This warranty does not cover damage caused by misuse or abuse of this product or by acts of God or accidents or other misuse or improper installation or unauthorized repair or alteration or causes beyond the control of TanTime™. Also not covered by this warranty are claims other than by the original purchaser. Your sole remedy and our sole liability to you shall be to repair or replace particular products at our discretion if it does not meet the requirements of this warranty.

If the product should become defective within the warranty period, upon receipt, TanTime™ will repair or replace the product free of charge, at the option of TanTime™. Customer is responsible for all shipping charges.

EPaD™/TanTime™ and its distributors shall under no circumstances be liable for any damages arising from the use of or the inability to use TanTime™ products or from any loss of revenue or profit, business interruption, or other loss which may arise from the use of TanTime™ products.

**THE WARRANTIES ABOVE ARE EXCLUSIVE AND IN LIEU OF ALL OTHER WARRANTIES, WHETHER EXPRESS OR IMPLIED, INCLUDING THE IMPLIED WARRANTIES OF MERCHANTABILITY AND FITNESS FOR A PARTICULAR PURPOSE.**

# Hookup

## This Manual

It is recommended that you read this manual before unpacking, installing or operating your new TanTime™ System™ Timers. Important information is covered in this manual that will ease installation and ensure trouble-free operation. Failure to follow setup & operation directions could result in damages not covered by the warranty.

## Physical Connections

### Connecting the Bed to the RU-XM™

Locate the two wires coming from the bed that are intended for connecting an external timer to the bed. (See bed manufactures information to determine which wires to use.) Connect these wires to the terminal labeled “Switching Leg” on the back of the RU-XM™ timer. The wires are held in the terminal by inserting them in their respective slots and tightening the clamping screw using a small, straight slotted screw driver. There is no polarity to be concerned with as the timer uses dry relay contacts to control the bed.

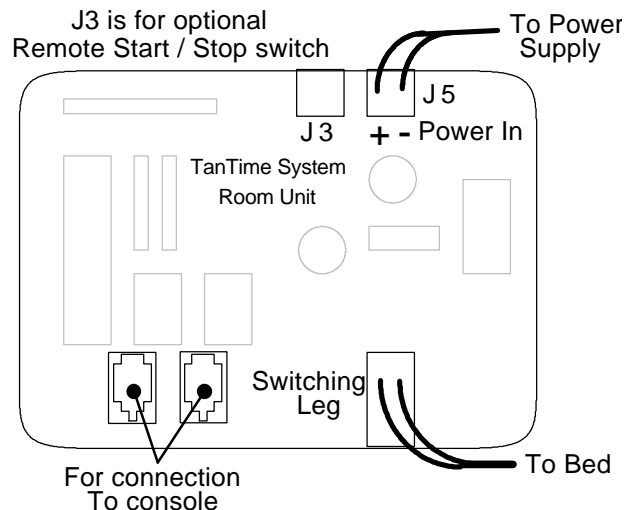
*Note: The maximum Switching Leg current allowed is 3 Amps at 220 VAC.*

### Connecting power to the RU-XM™ Timer

Observe polarity while connecting the 12 volt DC output power supply to J5, the “Power In” terminal. The wires are held in the terminal by inserting them in their respective slots and tightening the clamping screw using a small, straight slotted screw driver.

### Connecting the RU-XM™ Timer to a controller

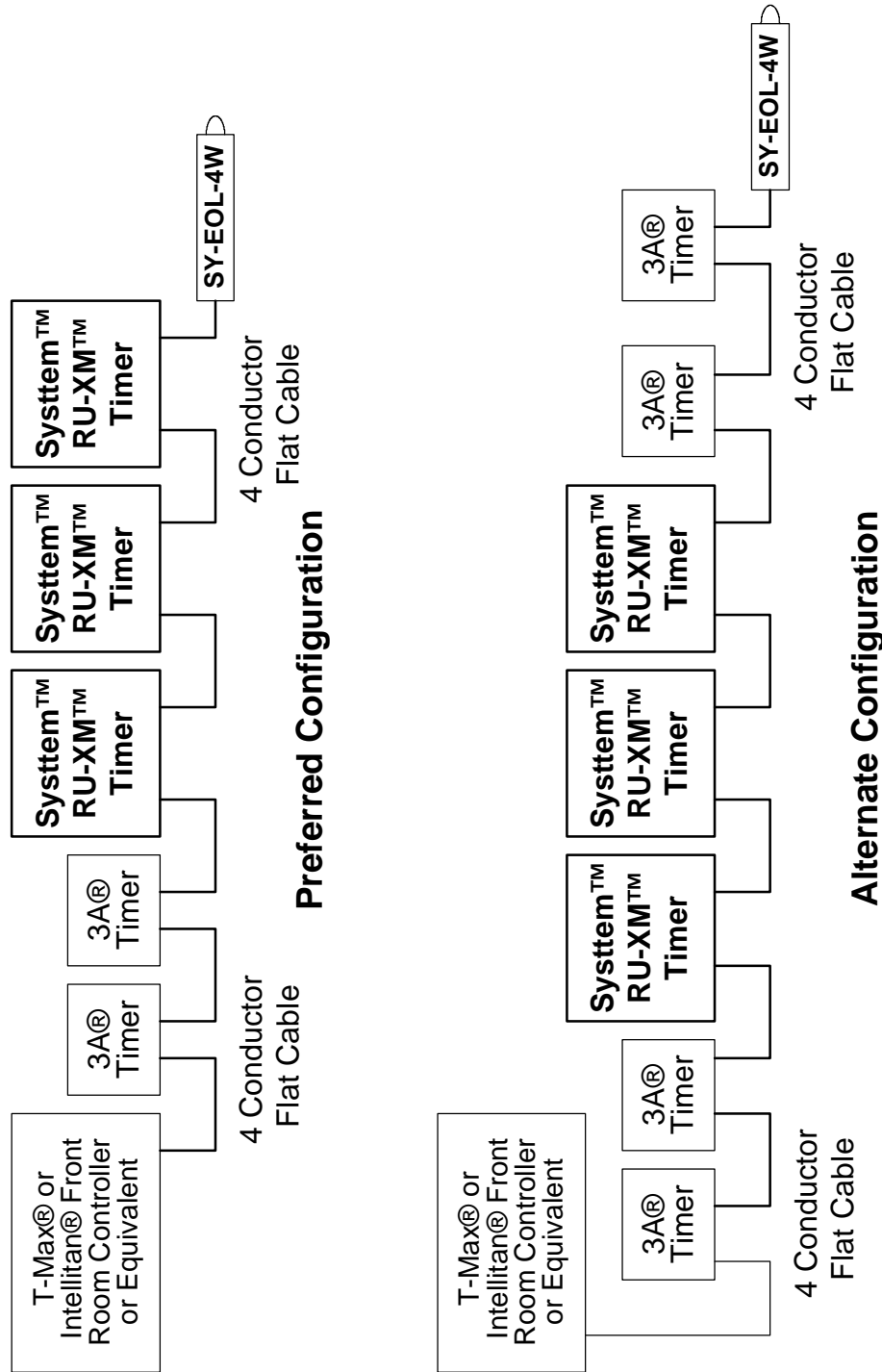
To use the RU-XM™ timer with a front room controller, insert a 4 conductor telephone style cable into either phone jack on the back of the RU-XM™ timer. Connect the other end of the cable to the controller or to another timer already connected to the controller in a daisy chain fashion. Do not exceed either the cable length or number of timers connected as specified by the controller manufacturer. Another RU-XM™, a 3A®, or an Intellitan® timer may be connected into the second phone jack on the back of the RU-XM™ timer. If the RU-XM™ is the last timer in the daisy chain, install an SY-EOL-4W End Of Line Terminator in the open connector as prescribed by the controller manufacturer. Installation instructions are included with the SY-EOL-4W and available at [www.tantime.com](http://www.tantime.com).



## Hookup

**Figure 2**

### Hookup TanTime™ System™ RU-XM™ Timers with a Front-Room-Controller



T-Max®, and 3A® are registered trademarks of Applied Digital, Inc. (ADI) and are in no way associated with TanTime™. Intellitan® is a registered trademark of Sun Ergoline, Inc. and is in no way associated with TanTime™.

## Operation

Operation Instructions for this Timer are found in a separate document. When your timer is powered up, the timer revision number is the first two digits shown on the display. Refer to the Operation Instructions for your timer revision. The document may be found in the Support section of the TanTime Website: [www.tantime.com](http://www.tantime.com).

# Support

## The Company

Since 1994, TanTime™, a Division of Electronic Programming and Design, Inc. has been developing and manufacturing enhanced digital timer systems for the indoor tanning industry.

TanTime™ continually accesses the most innovative design technology available incorporating state of the art technology in all it's Products. As an industry leader, TanTime™ updates and adds new products to it's growing line of digital timers and strives for complete customer satisfaction by providing a quality product and unsurpassed customer support.

## Support

### TanTime™ Dedication

TanTime™ is dedicated to ensuring that you receive the best customer support and technical assistance possible. To ensure that you receive the most efficient help possible, please be ready to produce model numbers of the TanTime™ equipment in concern and product part numbers. For repairs and returns please be prepared to produce date of purchase, name of original purchaser, and PO Number. An RMA is required for all returns including both repairs and return-for-credit equipment returns.

### Contact Us

**Telephone:** Call TanTime™ / EPaD™ at **206-767-7262** Pacific Time M-F 9 AM to 5 PM, PST

**Email:** TanTime™ Technical Support: [info@tantime.com](mailto:info@tantime.com)

### Returns and Repairs:

**NOTE:**

A Return Merchandise Authorization (RMA) number must be obtained from TanTime™ prior to shipping equipment to us for repair or return. The customer is responsible for all shipping costs.

To be issued an RMA Number Call TanTime™ at 206-767-7262, M-F, 9 AM to 5 PM, PT.

### Shipping / Mailing Address:

You will receive the shipping address when obtaining your RMA number.

### **Sales - Ordering Additional Equipment:**

**Telephone:** Call TanTime™ at 206-767-7262, Pacific Time, M - F, 9A - 5P.

**Email:** [info@tantime.com](mailto:info@tantime.com)

**Visit Web Site:** [www.tantime.com](http://www.tantime.com)