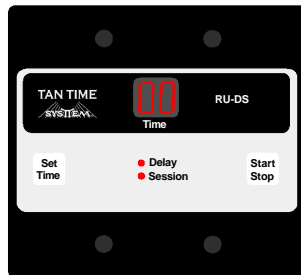


TAN TIME SYSTEM™



Room Unit

TanTime™ Room Unit DS Timer Hookup Instructions

**Digital Tanning Bed Timer Control Systems
for Complete Salon Control**

© 2002 EPaD™, Inc. All rights reserved -----

Electronic Programming and Design, Inc. (EPaD™) and the TanTime™ Division retains all ownership rights to all their products, and the contents of this manual. The source code for firmware and the electronic circuitry design are the confidential trade secrets of EPaD™. You may not attempt to decipher, decompile, develop, or otherwise reverse engineer EPaD™ firmware or products. Information necessary to achieve interoperability is furnished upon request.

The information in the manual is furnished for informational use only, is subject to change without notice, and should not be construed as commitment by EPaD™. EPaD™ assumes no responsibility or liability for any errors or inaccuracies that may appear in this manual. No part of this manual may be reproduced, stored in a retrieval system, or transmitted, in any form or by any means, electronic, mechanical, recording, or otherwise, without the express written permission by EPaD™.

Existing artwork or images that you may desire to scan may be protected by copyright law. Be sure to obtain permission for use of existing artwork.

Trademarks: These products carry the trademark of TanTime™ and EPaD™. All the trademarks of component parts used by TanTime™/EPaD™ in the manufacture of these products are the property of the respective owners. The TanTime™ Logo and System™ name and Logo are trademarks of EPaD™. T-Max® and 3A® are registered trademarks of Applied Digital, Inc. (ADI) and are in no way associated with TanTime™. CompuSUN® and Intellitan® are registered trademarks of SunErgoline, inc. and are in no way associated with TanTime™ or EPaD™. All other brand or product names are trademarks or registered trademarks of their respective companies or organizations.

Written, designed, and illustrated by Electronic Programming and Design, Inc. P.O. Box 81163, Seattle, WA 98108, USA.

Manufacturers Statement

Limited Warranty, Disclaimer, Limitation of Liability

EPaD™ warrants its products to be free of manufacturing defects, defects in materials and defects in workmanship for the lifetime of the products. TanTime™ Products are warranted against normal wear and tear for a period of 12 months from the date of initial purchase. This warranty will not be honored if there has been any attempt to tamper with or remove the external seal, which is intended to preclude tampering with this product's digital or other components. This warranty does not cover damage caused by misuse or abuse of this product or by acts of God or accidents or other misuse or improper installation or unauthorized repair or alteration or causes beyond the control of TanTime™. Also not covered by this warranty are claims other than by the original purchaser. Your sole remedy and our sole liability to you shall be to repair or replace particular products at our discretion if it does not meet the requirements of this warranty.

If the product should become defective within the warranty period, upon receipt, TanTime™ will repair or replace the product free of charge, at the option of TanTime™. Customer is responsible for all shipping charges.

EPaD™/TanTime™ and its distributors shall under no circumstances be liable for any damages arising from the use of or the inability to use TanTime™ products or from any loss of revenue or profit, business interruption, or other loss which may arise from the use of TanTime™ products.

THE WARRANTIES ABOVE ARE EXCLUSIVE AND IN LIEU OF ALL OTHER WARRANTIES, WHETHER EXPRESS OR IMPLIED, INCLUDING THE IMPLIED WARRANTIES OF MERCHANTABILITY AND FITNESS FOR A PARTICULAR PURPOSE.

Hookup

This Manual

It is recommended that you read this manual before unpacking, installing or operating your new TanTime™ System™ Timers. Important information is covered in this manual that will ease installation and ensure trouble-free operation. Failure to follow setup & operation directions could result in damages not covered by the warranty.

Physical Connections

Connecting the Bed to the RU-DS™

Locate the two wires coming from the bed that are intended for connecting an external timer to the bed. (See bed manufactures information to determine which wires to use.) Connect these wires to the terminal labeled “Switching Leg” on the back of the RU-DS™ timer. The wires are held in the terminal by inserting them in their respective slots and tightening the clamping screw using a small, straight slotted screw driver. There is no polarity to be concerned with as the timer uses dry relay contacts to control the bed.

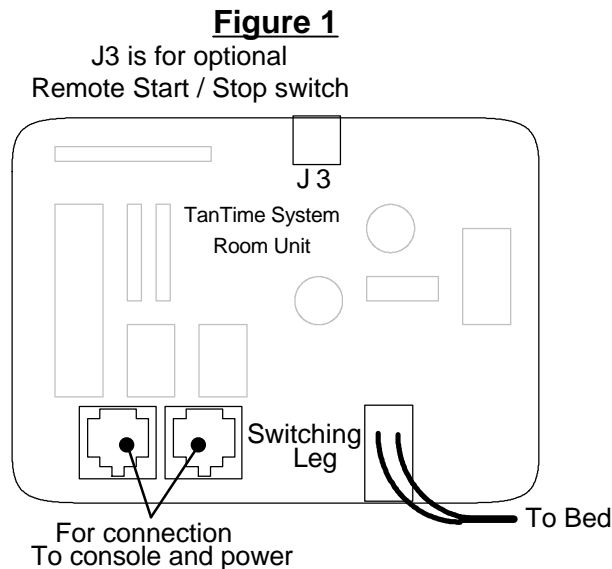
Note: The maximum Switching Leg current allowed is 3 Amps at 220 VAC.

Connecting power to the RU-DS™ Timer

The RU-DS™ receives power through either J1 or J2, the 8 pin modular connectors. These are also used to connect to a front room controller or remote timer. See Figure 2 for setup as a single bed timer. See Figure 3 for setup using a front-room-controller.

Connecting the RU-DS™ Timer to a Front Room Controller

To connect the RU-DS™ timer with a front room controller use CAT-5 cable. Lengths up to 50 foot may be used to interconnect up to 10 RU-DS™ timers in a daisy chain fashion as shown in Figure 3. The 8 pin modular jacks on the back of the RU-DS™ timer are interchangeable. If the RU-DS™ timer is the last timer in the daisy chain, install a TanTime™ End Of Line Terminator (SY-EOL™) in the open connector.



Hookup

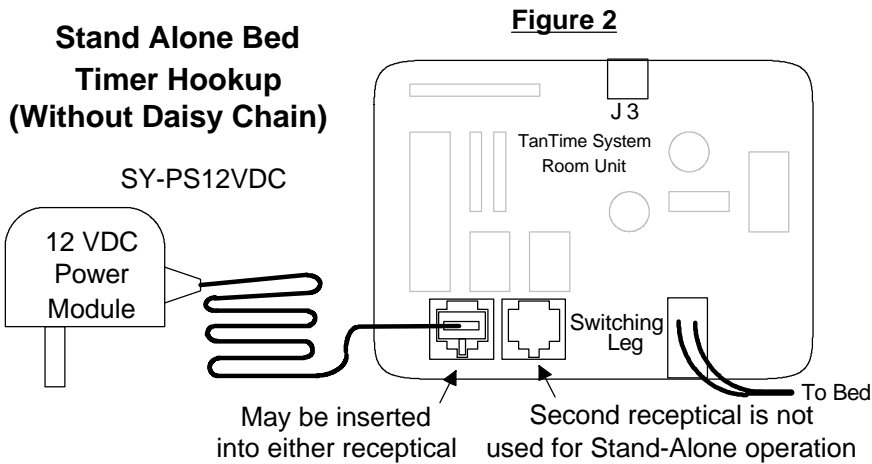
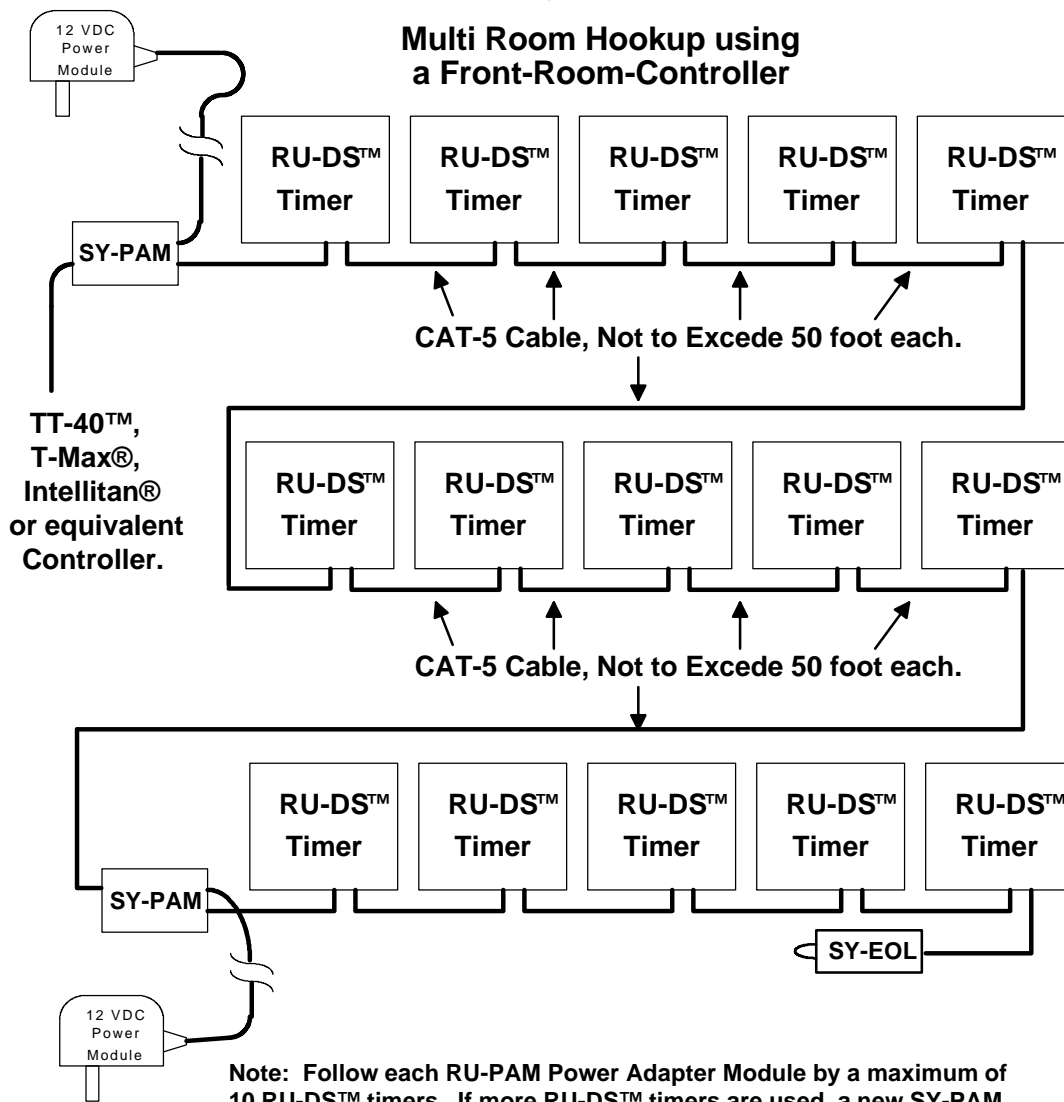


Figure 2



Note: Follow each RU-PAM Power Adapter Module by a maximum of 10 RU-DS™ timers. If more RU-DS™ timers are used, a new SY-PAM and Power Supply must be used for each string of 10 units.



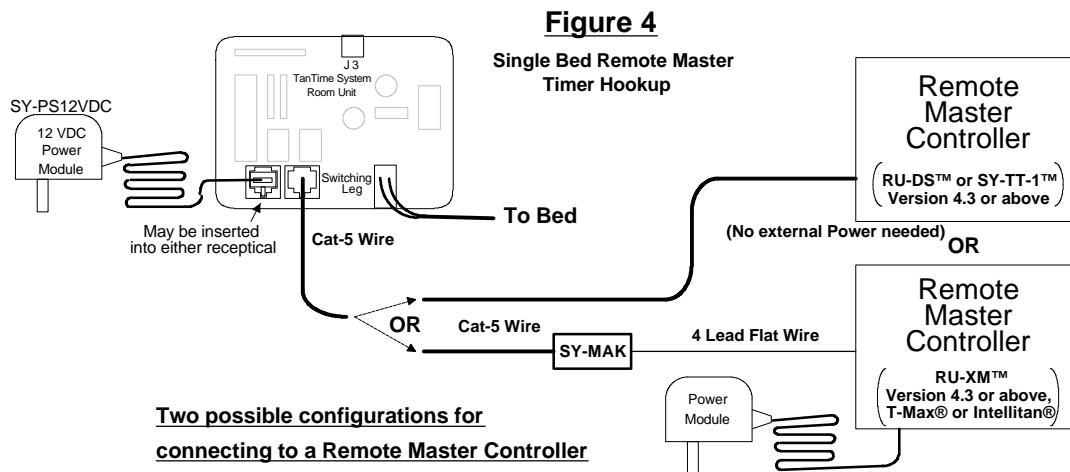
Hookup

Connecting the RU-DS™ Timer to a Master Timer

A single RU-DS™ timer may be remotely controlled by another timer configured as a Master Controller. Power to the RU-DS™ is supplied by a SY-PS12DC as shown in Figure 4. See your Timer Operation Instructions for setup and operation.

If the Master Controller is a TanTime™ RU-DS™ or SY-TT-1™ Timer use Cat-5 Cable to connect the two timers together. The Master Controller does not need a separate power supply as it may be powered by the SY-PS12DC connected to the RU-DS™ through the Cat-5 cable.

If the master controller is a RU-XM™, or a timer supplied by T-Max® or Intellitan® you must use a SY-MAK™ Multipurpose Adapter Kit to connect to the Master Controller. The Master Controller will need to be powered separately.



Using the RU-DS™ Timer as a Remote Master Controller

A single RU-DS™ timer may be used to remotely control another TanTime™ System™ timer or a timer manufactured by T-Max® or Intellitan®. See your Timer Operation Instructions for setup and operation.

When the timer being controlled (slave timer) is a TanTime™ System™ timer other than a RU-XM™, the RU-DS™ will get its power from the slave timer. See instructions for the specific slave timer for details. (Instructions for hooking to another RU-DS™ are found above and in Figure 4.)

When the timer being controlled (slave timer) is a TanTime™ RU-XM™ timer or another brand of daisy chained timer not using Cat-5 cabling, a SY-MAK™ is required to adapt the Cat-5 wire to 4-lead flat wire cable. Additionally, the RU-DS™ Master Controller will need a SY-PS12DC for power.

Operation

Operation Instructions for this Timer are found in a separate document. When your timer is powered up, the timer revision number is the first two digits shown on the display. Refer to the Operation Instructions for your timer revision. The document may be found in the Support section of the TanTime Website: www.tantime.com.

Support

The Company

Since 1994, TanTime™, a Division of Electronic Programming and Design, Inc. Has been developing and manufacturing enhanced digital timer systems for the indoor tanning industry.

TanTime™ continually accesses the most innovative design technology available incorporating state of the art technology in all it's Products. As an industry leader, TanTime™ updates and adds new products to it's growing line of digital timers and strives for complete customer satisfaction by providing a quality product and unsurpassed customer support.

Support

TanTime™ Dedication

TanTime™ is dedicated to ensuring that you receive the best customer support and technical assistance possible. To ensure that you receive the most efficient help possible, please be ready to produce model numbers of the TanTime™ equipment in concern and product part numbers. For repairs and returns please be prepared to produce date of purchase, name of original purchaser, and PO Number. An RMA is required for all returns including both repairs and return-for-credit equipment returns.

Contact Us

Telephone: Call TanTime™ / EPaD™ at **206-767-7262** Pacific Time M-F 9 AM to 5 PM, PST

Email: TanTime™ Technical Support: info@tantime.com

Returns and Repairs:

NOTE:

A Return Merchandise Authorization (RMA) number must be obtained from TanTime™ prior to shipping equipment to us for repair or return. The customer is responsible for all shipping costs.

To be issued an RMA Number Call TanTime™ at 206-767-7262, M-F, 9 AM to 5 PM, PT.

Shipping / Mailing Address:

You will receive the shipping address when obtaining your RMA number.

Sales - Ordering Additional Equipment:

Telephone: Call TanTime™ at 206-767-7262, Pacific Time, M - F, 9A - 5P.

Email: info@tantime.com

Visit Web Site: www.tantime.com

