

TanTime™ System™ Room Unit Power Adapter Module, SY-PAM™ Instructions for Use.

What it is: The Room Unit Power Adapter Kit consists of the adapter module itself, a 12 VDC - 1400 mA power supply module, a 3 foot - 4 conductor cable, a 3 foot CAT-5 cable, and these instructions.

What it is for: The purpose of the SY-PAM™ is to supply both electrical power to a chain of TanTime™ RU-DS™ timers and to adapt connections between the CAT-5 cabling required by the RU-DS™ timers and the 4-wire flat cable used in the T-Max® or equivalent timer systems.

How to use it: To adapt the 4-wire cabling of a T-Max® or equivalent timer system to control TanTime RU-DS™ timers, simply plug the 4 wire modular connector into the 4 wire input jack (the narrow one) in the SY-PAM™. (See Figure 1.) On the output side, a short length of CAT-5 cable is provided to connect to either of the 8 pin modular jacks on the back of the RU-DS™.

A 12 VDC power supply provides power through the SY-PAM™ and CAT-5 cable to as many as 10 RU-DS™ timers wired in a daisy chain manner. This makes it unnecessary to have a power supply in each room for each timer. The power supply must be plugged into the round connector receptacle of the SY-PAM™ and situated so that the power connector end of the SY-PAM™ is towards the RU-DS™ unit(s) being added to the system. If the SY-PAM™ is installed in the reverse direction, RU-DS™ unit(s) after it will NOT receive power.

It is suggested that each CAT-5 cable should not exceed 50' between successive RU-DS™ timers wired in a daisy chain manner. There also must not be more than 10 RU-DS™ timers to a single power supply.

NOTE: Additional RU-DS™ timers may be added to the daisy chain beyond the first 10 if they are powered by another 12 VDC power supply. To do this, simply use another SY-PAM™ and connect it's power supply as before, towards the additional timers. Use the 8 pin modular input connector (the wider one) on the input side of the SY-PAM™. (Refer to Figure 2.) Again, observe the cable length limit suggestions and limit of 10 timers per power supply. This method may be continued to the limits specified by the front room controller manufacturer.

Figure 1

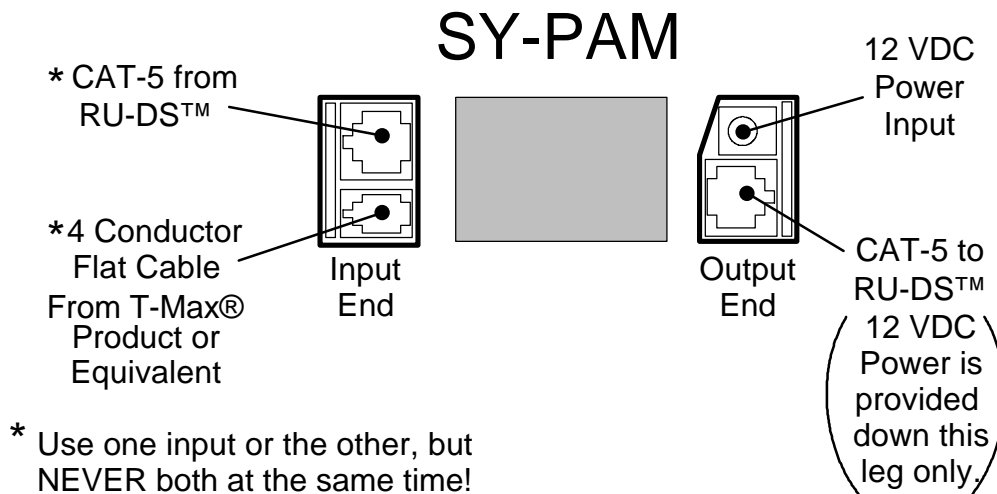
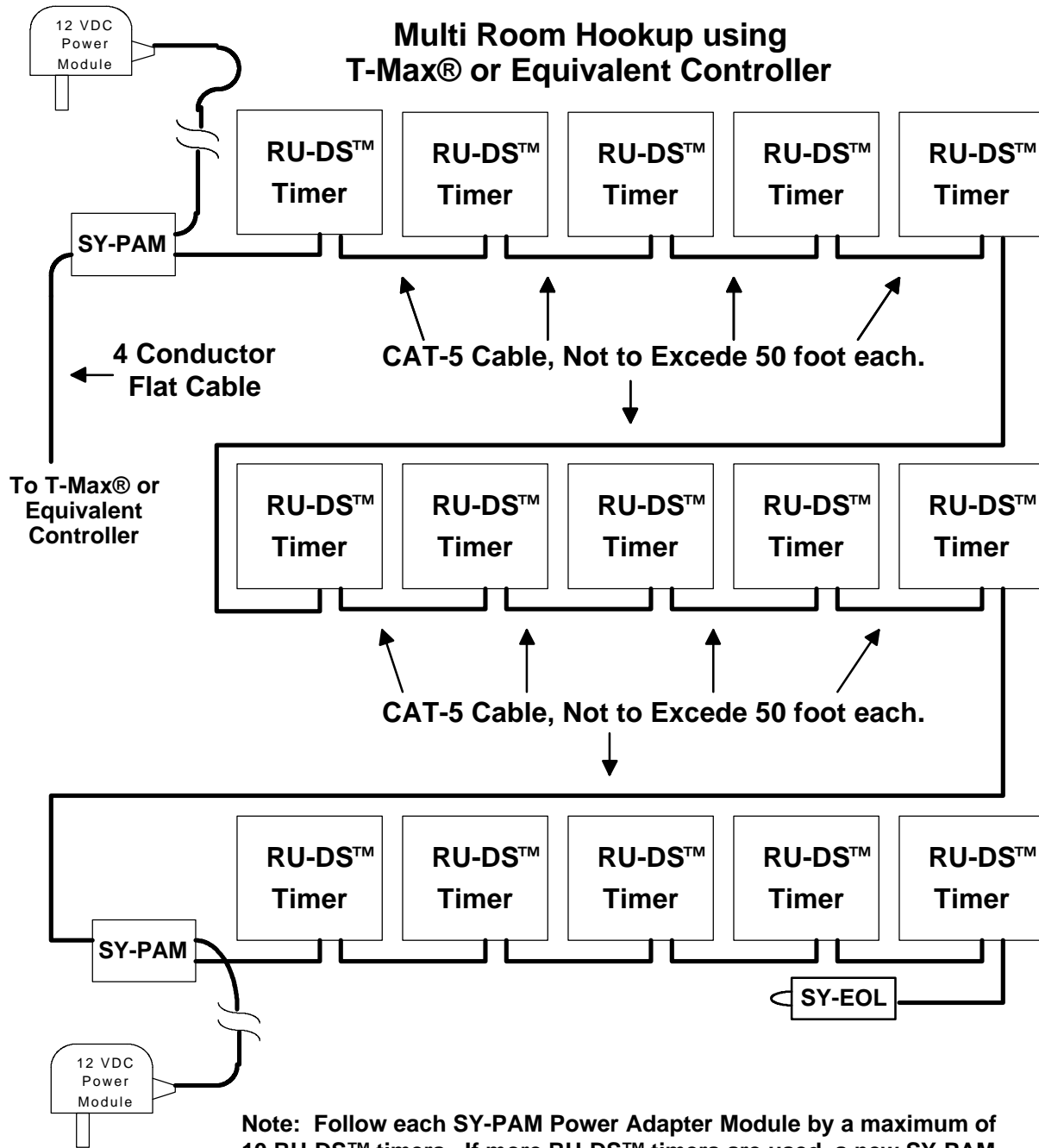


Figure 2

Multi Room Hookup using
T-Max® or Equivalent Controller



Note: Follow each SY-PAM Power Adapter Module by a maximum of 10 RU-DS™ timers. If more RU-DS™ timers are used, a new SY-PAM and Power Supply must be used for each string of 10 units.

NOTE: For additional information on setting up RU-DS™ Timers refer to TanTime™ publication DOC40202, TanTime™ Room Unit DS Timer Hookup Instructions.

Trademarks: These products carry the trademark of TanTime™ and EPaD™. All the trademarks of component parts used by TanTime™/EPaD™ in the manufacture of these products are the property of the respective owners. The TanTime™ Logo and System™ name and Logo are trademarks of EPaD™. T-Max®, and 3A® are registered trademarks of Applied Digital, Inc. and are in no way associated with TanTime™.

Written, designed, and illustrated by Electronic Programming and Design, Inc. P.O. Box 81163, Seattle, WA 98108, USA.

