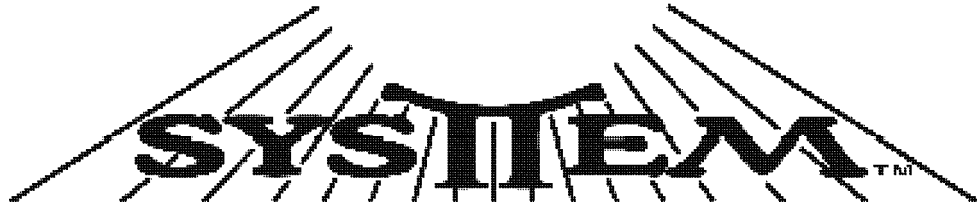


TAN TIME



TanTime™ System™ TT-1 Timer

Hookup Instructions

**Digital Tanning Bed Timer Control Systems
for Complete Salon Control**

© 2002 EPaD™, Inc. All rights reserved -----

Electronic Programming and Design, Inc. (EPaD™) and the TanTime™ Division retains all ownership rights to all their products, and the contents of this manual. The source code for firmware and the electronic circuitry design are the confidential trade secrets of EPaD™. You may not attempt to decipher, decompile, develop, or otherwise reverse engineer EPaD™ firmware or products. Information necessary to achieve interoperability is furnished upon request.

The information in the manual is furnished for informational use only, is subject to change without notice, and should not be construed as commitment by EPaD™. EPaD™ assumes no responsibility or liability for any errors or inaccuracies that may appear in this manual. No part of this manual may be reproduced, stored in a retrieval system, or transmitted, in any form or by any means, electronic, mechanical, recording, or otherwise, without the express written permission by EPaD™.

Existing artwork or images that you may desire to scan may be protected by copyright law. Be sure to obtain permission for use of existing artwork.

Trademarks: These products carry the trademark of TanTime™ and EPaD™. All the trademarks of component parts used by TanTime™/EPaD™ in the manufacture of these products are the property of the respective owners. The TanTime™ Logo and System™ name and Logo are trademarks of EPaD™. T-Max® and 3A® are registered trademarks of Applied Digital, Inc. (ADI) and are in no way associated with TanTime™. All other brand or product names are trademarks or registered trademarks of their respective companies or organizations.

Written, designed, and illustrated by Electronic Programming and Design, Inc. P.O. Box 81163, Seattle, WA 98108, USA.

Manufacturers Statement

Limited Warranty, Disclaimer, Limitation of Liability

EPaD™ warrants its products to be free of manufacturing defects, defects in materials and defects in workmanship for the lifetime of the products. TanTime™ Products are warranted against normal wear and tear for a period of 12 months from the date of initial purchase. This warranty will not be honored if there has been any attempt to tamper with or remove the external seal, which is intended to preclude tampering with this product's digital or other components. This warranty does not cover damage caused by misuse or abuse of this product or by acts of God or accidents or other misuse or improper installation or unauthorized repair or alteration or causes beyond the control of TanTime™. Also not covered by this warranty are claims other than by the original purchaser. Your sole remedy and our sole liability to you shall be to repair or replace particular products at our discretion if it does not meet the requirements of this warranty.

If the product should become defective within the warranty period, upon receipt, TanTime™ will repair or replace the product free of charge, at the option of TanTime™. Customer is responsible for all shipping charges.

EPaD™/TanTime™ and its distributors shall under no circumstances be liable for any damages arising from the use of or the inability to use TanTime™ products or from any loss of revenue or profit, business interruption, or other loss which may arise from the use of TanTime™ products.

THE WARRANTIES ABOVE ARE EXCLUSIVE AND IN LIEU OF ALL OTHER WARRANTIES, WHETHER EXPRESS OR IMPLIED, INCLUDING THE IMPLIED WARRANTIES OF MERCHANTABILITY AND FITNESS FOR A PARTICULAR PURPOSE.



Hookup

This Manual

It is recommended that you read this manual before unpacking, installing or operating your new TanTime™ System™ Timers. Important information is covered in this manual that will ease installation and ensure trouble-free operation. Failure to follow setup & operation directions could result in damages not covered by the warranty.

Physical Components

The System TT-1 Kit consists of three major components:

SY-TT1 Timer - timer module with 2 digit display, Set Time button and Start/Stop button

HVA-3 Kit - relay unit to be located at tanning booth/bed, Remote Start/Stop button with mounting screws, and 100 foot phone-style cable to hook to timer.

SY-PS12DC Power Supply - plugs into AC wall outlet near Timer. Supplies 12vdc to Timer through 6 foot cord and modular plug into Timer.

Physical Connections

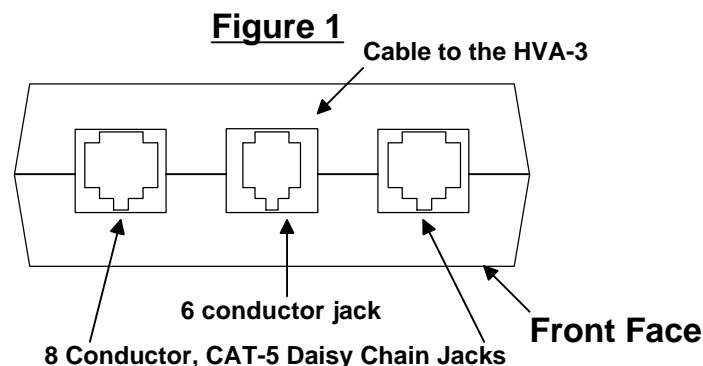
Connecting the Bed to the System™ TT-1 Timer

The HVA-3 is located near the tanning booth/bed and connected as directed in the TanTime HVA-3 Hookup Instructions provided. The Remote Start/Stop button is also connected to the HVA-3 per the HVA-3 Hookup Instructions. Additional copies of these instructions may be printed from the TanTime Web sight. The phone-style cable included with the HVA-3 kit is used to connect the HVA-3 to the 6 conductor modular jack in the center of the top of the Timer. This timer must be used with the HVA-3 to control a bed. NEVER attempt to connect the timer to the bed directly!

Connecting power to the Timer

If the Timer is to be used as a stand alone timer (without being connected to a front room controller), use the SY-PS1DC power supply provided. Plug the supply into a standard AC receptacle near the timer and insert the modular plug into either of the Cat-5 receptacles in the top of the timer (See Figure 1). Use the SY-PS12DC also if the timer is to be used with a front room controller not manufactured by TanTime™ or T-Max® .

When the timer is used with a TanTime™ front room controller power is supplied through the Cat-5 Cable directly from the TanTime controller. When the timer is used with a T-Max® front room controller a SY-PAM, Power Adapter Module, is used to provide power through the Cat-5 Cable. The SY-PAM is available from your TanTime dealer or from TanTime directly. In either or these cases the SY-PS12DC is not used and should be put aside.



Hookup

Uses for the System™ TT-1 Timer

The timer may be operated in any one of the following installations:

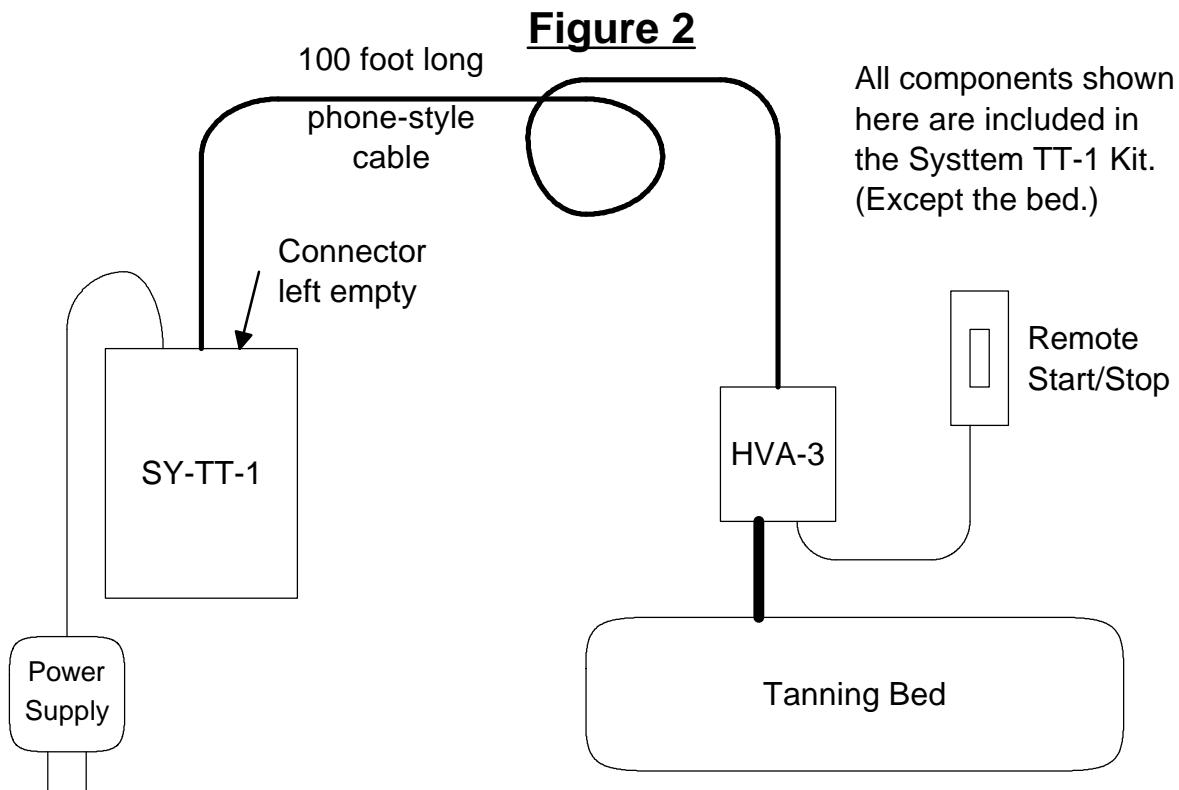
- Stand-Alone with a single bed as in Figure 2
- TanTime™ TT-40 System™ front room controller or equivalent as in Figure 3
- T-Max® front-room-controller or equivalent as in Figure 4
- T-Max® 3A® timer as in Figure 5
- Using a Third Party Interface for a Controller not mentioned above as in Figure 6
- Remote Hand Unit as in Figure 7

Connecting the SY-TT-1 Timer to the Tanning Bed / Booth

The System TT-1 Timer is electrically connected to a bed using a TanTime™ HVA-3 Kit. This kit is provided with the SY-TT-1 Timer. The HVA-3 must be electrically connected to the bed per the HVA-3 Installation Instructions provided. Connect the power supply to the SY-TT1 Timer and the Timer to the HVA-3 with the telephone-style cable provided as shown in **Figure 2**. For all installations the HVA-3 MUST be used between the bed and the Timer.

Operating in Stand-Alone with a Single Bed

The System TT-1 Timer may operate Stand-Alone with a single bed. The installation for this is described above and illustrated in **Figure 2**.

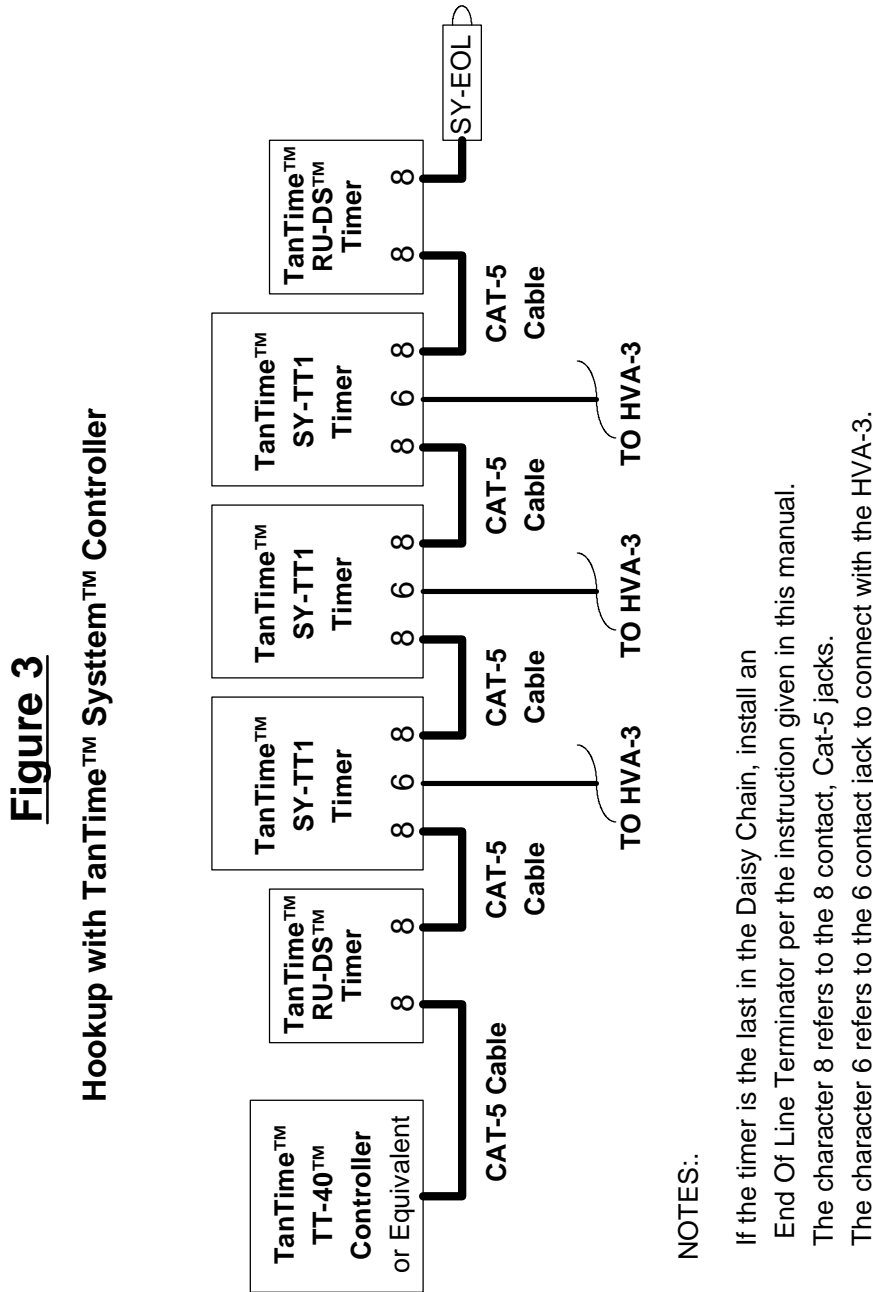


Hookup

Connecting the Timer to a System™ Front-Room-Controller

The System™ TT-1 Timer may be used with a System™ front-room-controller using CAT-5 cable. The Timers interconnect in a daisy chain fashion to the controller. The 8 pin modular jacks on the Timer are interchangeable. For use with a TanTime™ TT-40 System™ refer to **Figure 3** and the TT-40 Users' Manual.

If the Timer is the last timer in the daisy chain, install a TanTime™ End Of Line Terminator (SY-EOL™) in the open connector. (See **Installing an End of Line Terminator (EOLT)** below.)

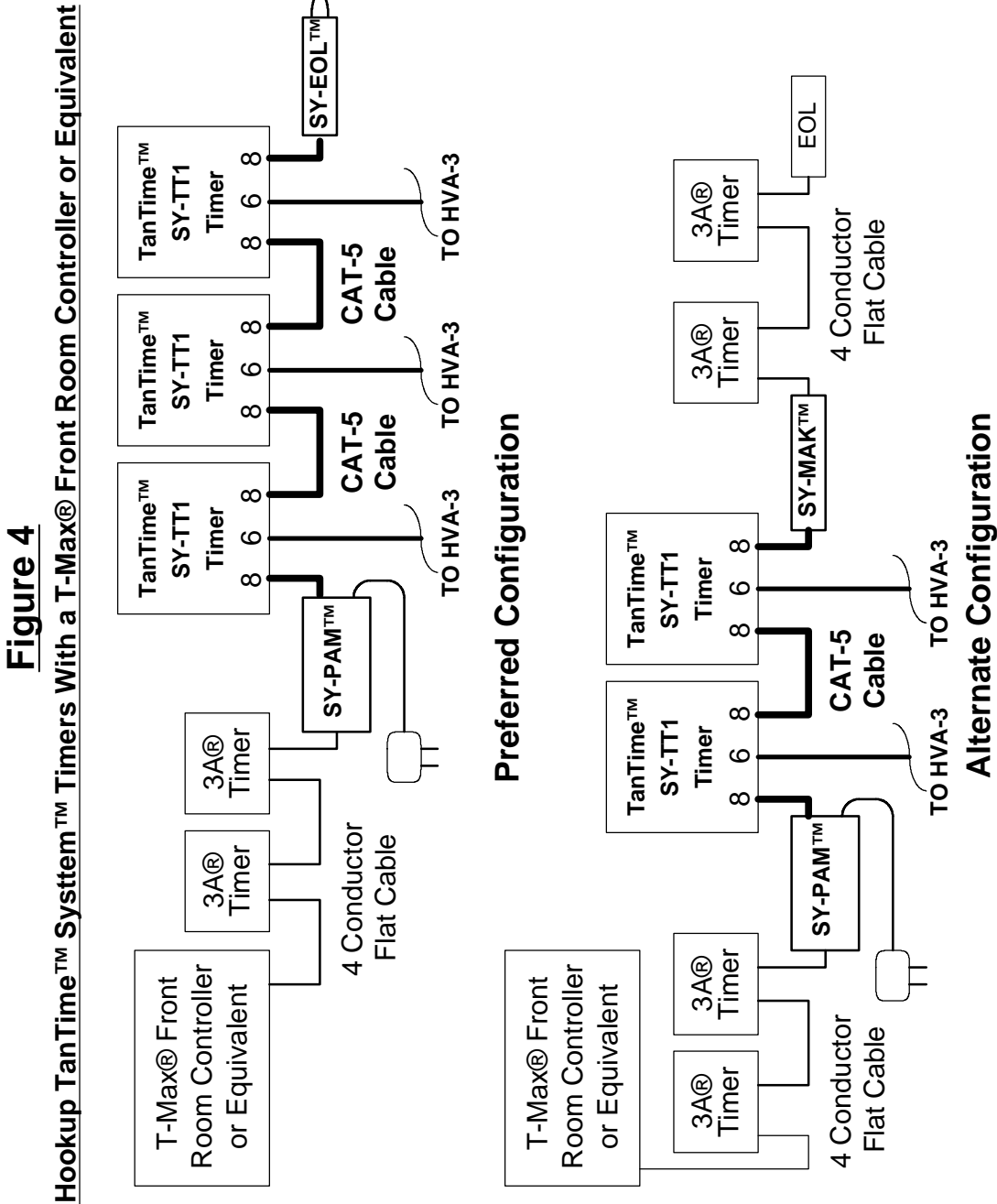


Hookup

Connecting the Timer to a T-Max® Front-Room-Controller or Equivalent

The System™ TT-1 Timer may be used with a T-Max® front-room-controller or equivalent using CAT-5 cable and a TanTime™ SY-PAM™ Power Adapter to a 4 line modular jack. The Timers interconnect in a daisy chain fashion to the controller. The 8 pin modular jacks on the back of the System™ Timer are interchangeable. For use with a T-Max® or equivalent front room controller refer to **Figure 4** and the front room controller Users' Manual.

If the TanTime™ Timer is the last timer in the daisy chain, install a TanTime™ End Of Line Terminator (SY-EOL™) in the open connector.



T-Max®, and 3A® are registered trademarks of Applied Digital, Inc. (ADI) and are in no way associated with TanTime™.

Hookup

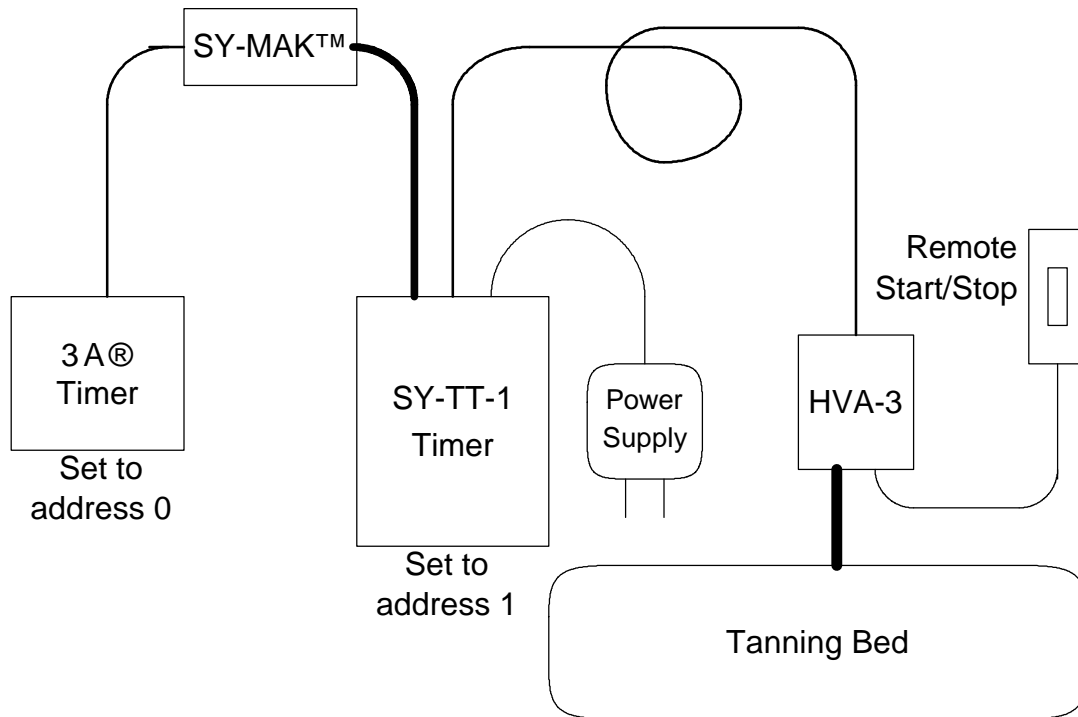
Installing an End of Line Terminator (EOLT)

The EOLT (TanTime™ part number SY-EOL) is used only in the last bed of a daisy chain connected to a front room controller. This bed would have only one CAT-5 cable coming to it. The EOLT should be placed in the unused Daisy Chain connector.

Connecting the Timer to a T-Max® 3A® Timer

This System™ timer may be used as a slave to a T-Max® 3A® timer. The System™ timer should be assigned an address of 1 and the 3A® timer an address of 0 and connected together via CAT-5 cable and a TanTime™ SY-MAK™ adapter to a 4 line modular jack. For use with a T-Max® 3A® timer or equivalent refer to **Figure 5** and the 3A® Users' Manual.

Figure 5



Hookup

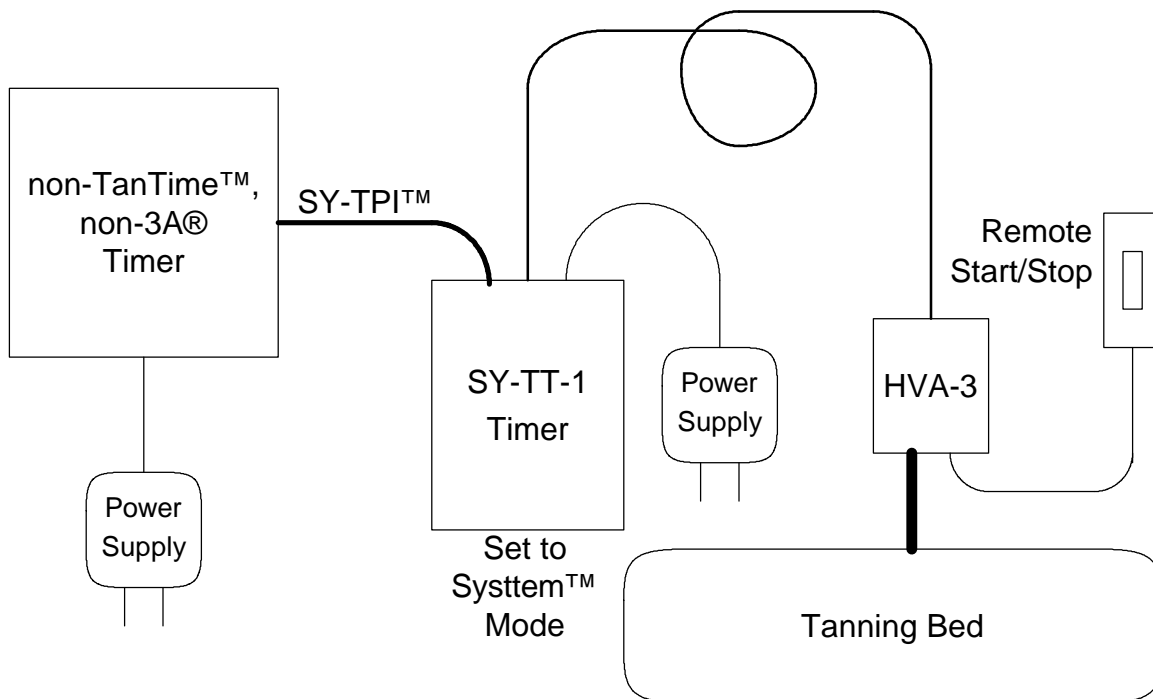
Operation with Third Party Interface (TPI)

When connecting to a controller that is not compatible with this timer in either System™ or Emulation mode, a Third Party Interface cable is required (TanTime™ part number SY-TPI™.) Power for the Timer is provided by the SY-PS12DC. The TPI cable must be plugged into one 8 position modular connectors and the SY-PS12DC into the other. The timer must be set to Stand-Alone System™ Mode as instructed on pages 8 and 9 in the System™ TT-1 Timer Operating Instructions, TanTime™ part number DOC40401.

When the Timer is in Stand-Alone, powered, and the TPI cable installed, connecting the two open wires at the end of the TPI cable together will put the timer into TPI mode. While in TPI mode the timer will display “7C” instead of “SA” during the Reset Sequence. The Timer’s Set Time button will be ignored and the Start/Stop button will function only to pause or cancel a session. (See “System™ TT-1 Timer Operation Instructions.”) A session can NOT be started using the Start/Time button.

The Timer will remain in TPI mode even after power and the TPI cable have been removed. See “System™ TT-1 Timer Operation Instructions.” To return the Timer to either System™ or Emulation mode.

Figure 6



Hookup

Operation with Remote Hand Unit (HU)

A Remote Hand Unit may be used to remotely control the bed timer. The Hand Unit must be plugged into one of the 8 position modular connectors and the other one must be empty. The timer must be set to System™ Stand Alone mode as instructed on pages 8 and 9 in the “System™ TT-1Timer Operating Instructions”, TanTime™ part number DOC40401.

While connected to a Remote Hand Unit the Timer goes into System™ slave mode. The Set Time button will be ignored and the Start/Stop button may be used to start, pause or cancel a session. (See “System™ TT-1Timer Operation Instructions.”)

The Timer will remain in Remote Hand Unit / System™ slave mode even after power and the Remote Hand Unit have been removed. See “System™ TT-1Timer Operation Instructions.” To return the Timer to either Stand-Alone System™ or Emulation mode.

Figure 7

