

SY-TT-1 Stand-Alone Operation Quick-Start Installation Instructions

Quick-Start Document

This document provides the information to quickly connect and set up your SY-TT-1 Timer for Stand-Alone operation (control of one bed or both with no front-room-controller or computer control). Follow the steps below carefully. Failure to follow setup & operation directions could result in damages not covered by the warranty.

For information on all features available with your new SY-TT-1 Timer, including using it with a front-room-controller, reference the full SY-TT-1 Instruction Manual, TanTime™ DOC40214. This document is available on the Web at www.tantime.com under Support.

Physical Components

The System TT-1 Kit consists of three major components:

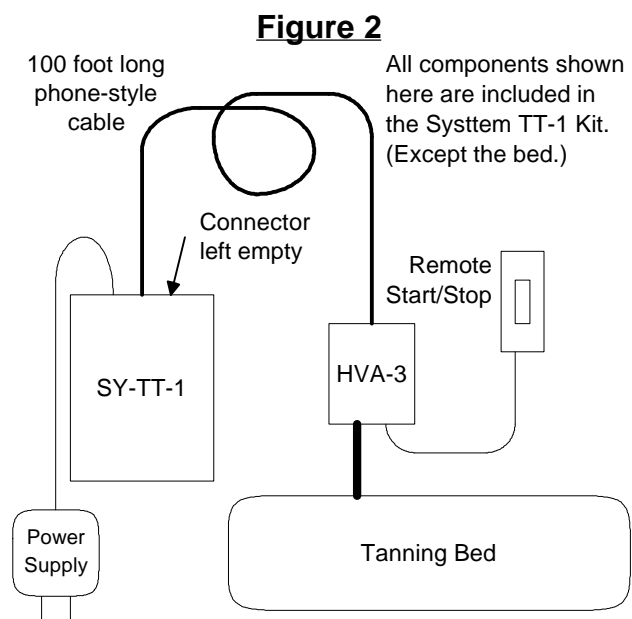
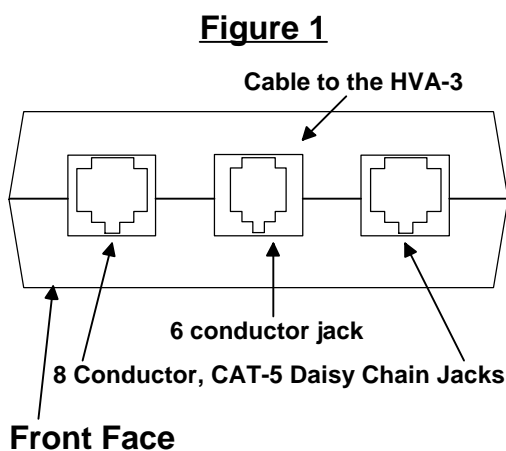
SY-TT-1 Timer - timer module with 2 digit display, Set Time button and Start/Stop button

HVA-3 Kit - relay unit to be located at tanning booth/bed, Remote Start/Stop button with mounting screws, and 100 foot phone-style cable to hook to timer.

SY-PS12DC Power Supply - plugs into AC wall outlet near Timer. Supplies 12vdc to Timer through 6 foot cord and modular plug into Timer.

Physical Connections

1. Connect the Power Supply (SY-PS12DC) to one of the two open, 8-conductor, Cat-5 jacks shown in Figure 1. (The other Cat-5 Jack is not used for Stand-Alone operation.)
2. Locate the HVA-3 near the tanning bed/booth and connect it as illustrated in Figure 2. Use the HVA-3 Hookup Instructions (DOC10102) included in the HVA-3 Kit to aid you in this.
3. Connect the phone-style cable to the HVA-3 if not already connected, and route it to the SY-TT-1 Timer. *Avoid laying the cable near any high voltage wires.* (This phone-style cable is manufactured with "straight-through" connections. Substituting a cable from another source is not recommended as it could cause the timer to fail to operate. If a longer cable is needed, please contact TanTime™ or your distributor.)
4. Connect the phone-style cable from the HVA-3 to the center, 6-conductor jack on the timer. (See Figure 1.) **This timer must be used with the HVA-3 to control a bed. NEVER attempt to connect the timer to the bed directly!**



SY-TT-1 Stand-Alone Operation Quick-Start

Setup Instructions

The following setup information will setup your timer for Stand-Alone operation. If you wish to use your timer with a remote controller see the full SY-TT-1 Instruction Manual, TanTime™ DOC40214. This document is available on the Web at www.tantime.com under Support.

Placing the Timer in Emulation Mode

To be used as a Stand-Alone timer per these instructions the timer must first be in Emulation Mode. If after the power-up Reset sequence the timer has one zero "0" on the display the timer is already in Emulation mode so skip to "**Setting the Operating Parameters**". If the timer display shows two zeros "00" on the display, got to step 1 below to change to Emulation Mode.

1. With the display showing "00", press and hold first the Start/Stop and then the Set Time buttons simultaneously until the display shows "--".
2. Release both buttons and immediately press and hold the **Set Time** button until "A" is shown on the display.
3. Release the **Set Time** button and immediately press and hold the **Start/Stop** button until the display changes to show "AC".
4. Release the **Start/Stop** button and the display will cycle through Reset, this time ending in Emulation Mode and showing one zero "0" on the display.

Setting the Operating Parameters

To set any single Emulation Mode Parameter you must start with the first parameter and go through to the last parameter in the steps below. Any parameter can be accepted as displayed by pressing the Start/Stop button to advance to the next parameter. Changing a parameter is done by pressing the Set Time button when parameter data is shown before advancing to the next parameter. Pressing a button while a letter code is showing will have no effect.

1. To begin, press and hold the **Start/Stop** and then the **Set Time** buttons simultaneously. The display will show "--". Immediately release both buttons and the timer will go through the Reset-Sequence
2. When the display shows "--" press and hold both buttons again until the display goes blank.
3. Release both buttons. The display will show a value between ".1." and "9.9." with both the Delay Lamp and Run Lamp on. This is the timer address and not used for Stand-Alone operation. Press and release the **Start/Stop** to accept the address and move to the next parameter.
4. The display will show a value between ".0" and "1.0" with the Delay Lamp on and Run Lamp off. This is the Session Delay Time. Use the **Set Time** button to set up to set in whole minutes, up to 10, the Delay Timer desired between pressing the **Start/Stop** button at the timer and the customer's session time automatically counting down. (If the customer presses the remote **Start/Stop** button in the room before the Delay Time expires, the Delay Time will automatically terminate and session begin.) Press and release the **Start/Stop** to accept the Delay Time and move to the next parameter.
5. The display will show a value between "2." and the maximum time programmed into the timer chip at the factory, with the Delay Lamp off and Run Lamp on. Determine the maximum time allowable for your bed and using the **Set Time** button, change the display to that value. This is the Maximum Session Time to be used on this timer. Press and release the **Start/Stop** to accept and move to the next parameter.
6. The display will show a value between "0" and "10" with both the Delay Lamp and Run Lamp off. This is the bed Cool Down Time. Use the Set Time button to set up to set in whole numbers up to 10, the minutes for the bed to cool down after a session. Press and release the Start/Stop to accept and move to the next parameter.



SY-TT-1 Stand-Alone Operation Quick-Start Setup Instructions

(In the following steps both the Delay Lamp and Run Lamp will be off.)

7. The display will show “r” for a few seconds and then either a “0” or “1”. This parameter sets how the session will start after Delay Time. If the parameter value is “0” the session will start with the bed on. If the parameter value is “1” the session will start with the bed off but session time still counting down. Press and release the Start/Stop to accept and move to the next parameter.
8. The display will show “P” for a few seconds and then either a “0” or “1”. This parameter sets how a Pause will function. If the parameter value is “0” the session time will continue to count down when paused with the bed off. If the parameter value is “1” the session time will freeze with the bed off. Press and release the Start/Stop to accept and move to the next parameter.
9. The display will show “Cb” for a few seconds and then either a “0” or “1”. This parameter switches on and off the Clean Bed function. If the parameter value is “0” the Clean Bed function is off. If the parameter value is “1” the Clean Bed function is on. Press and release the Start/Stop to accept and move to the next parameter.
10. The display will show “CC” for a few seconds and then either a “0” or “1”. This parameter sets how the timer will clear a Clean Bed alert. If the parameter value is “0” the remote Start/Stop button or timer Set Time button must be held down for 4 seconds to clear a Clean Bed alert. If the parameter value is “1” the remote Start/Stop button or timer Set Time button must only be pressed for a moment to clear a Clean Bed alert. Press and release the Start/Stop to accept and the timer will record all parameter changes and reset.

This concludes setting all of the timer parameters. The timer is now ready for operation.

(Reference) Emulation Mode Parameter Change	TanTime Control Feature Number	Delay Lamp	Run Lamp	Parameter Letter Code (flashed)	Value Range
Timer Address	1	On	On		1 to 99
Stand-Alone Delay Time	2	On	Off		0 to 10 (in minutes)
Maximum Session Time	14	Off	On		2 to maximum chip time ‡
Cool Down Time	9	Off	Off		0 to 10 (in minutes)
Start Mode (Stand-Alone, After Delay) ‡‡	15	Off	Off	r	0 = bed starts automatically after delay time 1 = after delay, session time runs, but bed does not start until user presses Remote Start / Stop
Pause Mode	12	Off	Off	P	0 = When session is paused timer will continue to count down 1 = When session is paused timer will stop counting down
Clean Bed	7	Off	Off	Cb	0 = Clean Bed mode disable 1 = Clean Bed mode enabled
Clean Clear	11	Off	Off	CC	0 = Press and hold Up button for 4 seconds to clear 1 = Press and release will instantly clear
Emulation Mode Reset-Sequence begins					

‡ The Maximum time hard programmed into the timer chip.

‡‡ In addition to Start Modes 0 and 1 an “Indefinite Start Delay” may be used by setting time on the timer and NOT pressing **Start / Stop** on the timer. In this manner the session will start only when the user presses the **Remote Start / Stop** button in the room.



SY-TT-1 Stand-Alone Quick-Start

Operating Instructions

The following Operating Instructions are for Stand-Alone operation. If you wish to use your timer with a remote controller see the full SY-TT-1 Instruction Manual, TanTime™ DOC40214. This document is available on the Web at www.tantime.com under Support.

NOTE: If the Display shows “LO” when a button is pressed, the “Lock Out” feature has been set. This means that Stand-Alone operation has been “Locked Out.” This feature can only be enabled or disabled using a front-room-controller. See the full SY-TT-1 Instruction manual for more information. This document is available on the Web at www.tantime.com under Support.

Running a Tanning Session Manually

The timer must be idle, i.e., ready to use with the display showing “0” and neither the Delay or Session lights illuminated nor flashing. Press the **Set Time** button to advance the displayed value to the desired session time. If the displayed value is greater than desired, you must continue advancing through the Maximum Session Time for your timer. (The Maximum Session Time for your timer is covered in the previous section titled **Setting the Operating Parameters.**)

With the desired session time displayed, pressing the **Start/Stop** button will start the tanning session. Note that once a tanning session has been started it will be recorded in the meters even if it is canceled before the bed is turned on.

(An “Indefinite Start Delay” may be used by setting time on the timer and NOT pressing **Start / Stop** on the timer. In this manner the tanning bed / booth will start only when the user presses the **Remote Start/Stop** button in the room.)

Terminating a Delay Time Manually

Once a tanning session has been started, if a Stand-Alone Delay time has been set, the display will now show the delay time and the Delay lamp will flash. The delay time may be bypassed and the tanning bed started by pressing the **Start/Stop** button or the **Remote Start/Stop** button in the room if provided. The session time will now be displayed, the Session lamp will flash slow, and the tanning bed will start.

Pausing a Tanning Session Manually

Press the **Start/Stop** (or **Remote Start/Stop** button if provided) once to pause a tanning session. Press the **Start/Stop** (or **Remote Start/Stop** button if provided) again to resume a session.

Note: There must be a minimum of 4 seconds between button presses.

Canceling a Tanning Session Manually

When operating in Stand-Alone and the session has been paused for a minimum of four seconds as described above, the session may be terminated by pressing the **Set Time** button.

*Note: Canceling a session using the **Set Time** button is disabled while operating under a front-room-controller.*

Clearing a Clean Bed Alert

If the Clean Bed mode is enabled, when the tanning session has been completed the display will be blank and both the **Delay** and **Session** lamps will illuminate. After cleaning the room for the next user, press and hold **Set Time** button or a remote **Start/Stop** if provided, until both the **Delay** and **Session** lamps go out and the display shows “0”. (If only the **Session** lamp goes out and the display remains blank, the Cool Down mode has been enabled and must time out. It is not possible to bypass the Cool Down cycle once it has begun.)