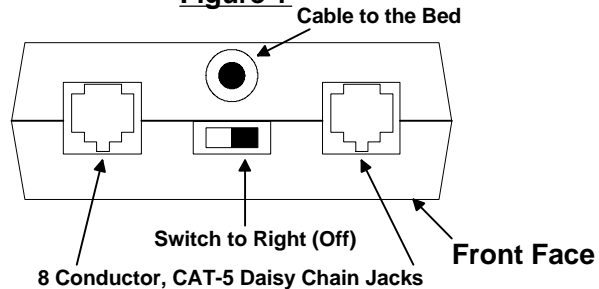


Peacock Timer Quick-Start Instructions, v5.3 & v5.4

TAN TIME



Figure 1



Quick-Start Document

This document provides the information to quickly connect and set up your Peacock System™ Timer for either Stand-Alone or slave operation. Stand-Alone operation is defined as one timer controlling one booth without a remote master timer, front room controller or computer control. Slave Operation is when the booth timer is remotely controlled by a front room controller or another timer.

To use this timer with a non-daisy-chained controller system please see Third Party Interface (TPI) in the full Hookup Instructions, TanTime™ DOC40206, and Operation Instructions, v5.3, 5.4, DOC40404. Both of these document may be found at www.tantime.com >> Support.

Follow the steps below carefully. Failure to follow setup & operation instructions could result in damages not covered by the warranty. For information on all features available with your new System™ OEM Timer, reference the full Hookup Instructions, TanTime™ DOC40206. This document is available on the Web at www.tantime.com >> Support.

Physical Connections

Connecting the System™ OEM Timer to the Booth

Connect the gray wire with the 5-contact, round plug from the System™ OEM Timer directly to the mating connector on the tanning booth. This cable provides electrical power to the timer, connects the timer control circuitry to the booth and connects the timer to the booth's remote Start/ Stop switch.

Setting the Switch Position (See Figure 1)

The switch on top of the System™ OEM Timer should be to the **Right (Off)** position.

Installing an End of Line Terminator (SY-EOL™)

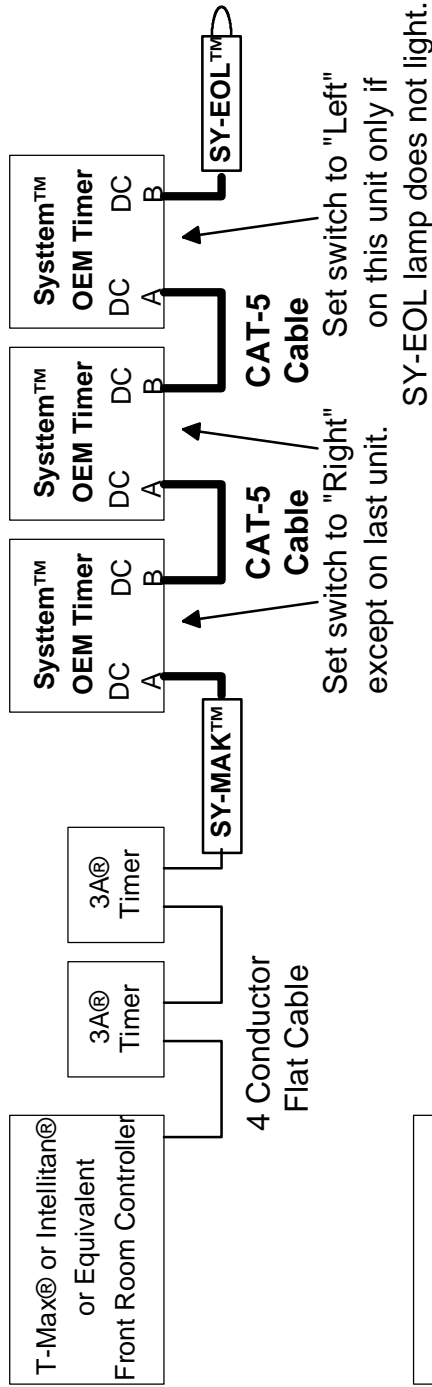
To start, all OEM System™ Timers must have the switches set to the **Right (Off)** position. The SY-EOL™ is used only in the last booth timer of a daisy chain connected to a front room controller. This timer would have only one CAT-5 cable coming to it. The SY-EOL™ should be placed in the unused Daisy Chain connector, and the switch on the timer set to the **Right (Off)**. If the SY-EOL™ does NOT illuminate when the Front room controller and Timers are powered on, move the switch to the **Left (On)** position where the SY-EOL™ will illuminate.



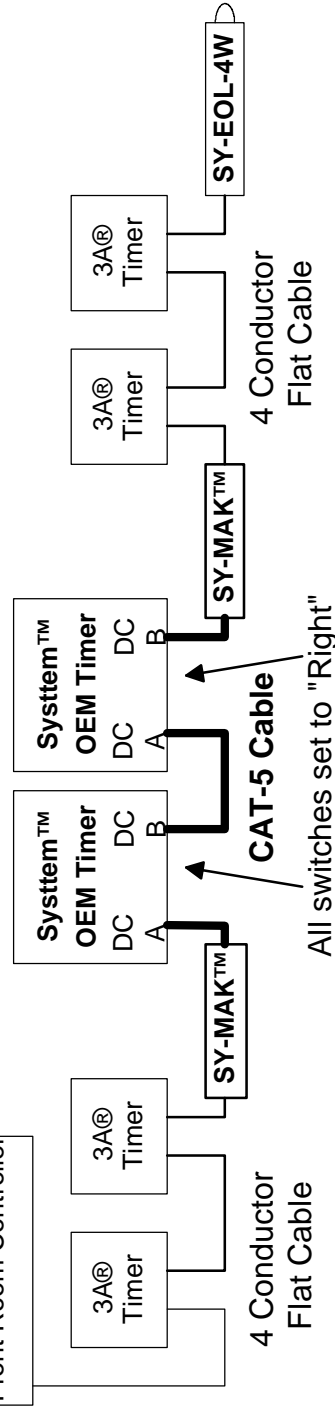
Figure 3

Hookup for System™ Timers to T-Max® or Intellitan® Front Room Controllers

Preferred Configuration



Alternate Configuration



Applications Not Covered in This Quick Start Document

If the System™ OEM Timer will be used with a remote Master Timer or with a non daisy-chained controller system refer to the full Hookup Instructions, DOC40206, and the full Operating Instructions for v5.3 & v5.4 Timers. Both of these documents are found on the TanTime Website; www.tantime.com.

T-Max®, and 3A® are registered trademarks of Applied Digital, Inc. (ADI) and are in no way associated with TanTime™. Intellitan® is a registered trademark of Sun Ergoline, Inc. and is in no way associated with TanTime™. DC A and DC B are abbreviations for Daisy Chain A and Daisy Chain B.

Quick-Start Setup Instructions, v5.3 & v5.4

Full Setup and Operating Instructions

These Instructions are intended to aid in quickly setting up a timer in Operating Mode 1 for Stand-Alone operation, or slave operation with a T-Max® manager or equivalent. For a full list of Timer features and operating instructions see TanTime™ document DOC40404, available at www.tantime.com >> Support.

Setting Timer Parameters

In the following process, a specific parameter is indicated by a letter code shown for 2 seconds before the value digit(s) are shown. Pressing a button while the letter code is showing will have no effect. While the value digit(s) are shown the value may be changed by pressing the **Set Time** button. For an individual parameter, when the value reaches the upper limit stated in **Table 3**, continuing to press **Set Time** will roll the value over to the minimum stated for that parameter in **Table 3**. Pressing the **Start / Stop** button while the value digit(s) are shown will save the value shown and advance to the next parameter. When the **Start / Stop** button is pressed on the last parameter, the Timer will save that parameter, Reset, and be ready for operation.

To read and set at the timer any of the parameters, the timer must NOT be connected to a front-room-controller.

(If the display shows "OL" when a button is pressed, it is still on-line and needs to be brought off-line. To do this remove the connection to the controller and turn the power to the timer off then on again. If the display shows "LO" then Stand-Alone Lockout is set to "1". Stand-Alone Lockout must be cleared before attempting to perform any mode changes or operation without a front room controller. See the operating instructions for your front room controller.)

You must start with the first parameter and go through to the last parameter in order. Each parameter may be accepted as displayed by pressing the **Start / Stop** button to advance to the next parameter. Changing a parameter is done with the **Set Time** button before advancing to the next parameter. To Begin:

- Press and hold the **Start / Stop** and then the **Set Time** buttons simultaneously. The display will show " _ _ ". Immediately release both buttons and the timer will begin the Reset-Sequence.
- When the display shows "- -" press and hold both buttons again until the display goes blank, then release both buttons.
- The display flashes **OP** for 2 seconds, then displays the Operation Mode number. Press the **Set Time** button to change the Operating Mode. (See **Table 3**). Press **Start / Stop** to advance to the next parameter.
- The display flashes **Ad** for 2 seconds, then displays the current timer address. Press the **Set Time** button to change the address. Press **Start / Stop** to advance to the next parameter.
- The display flashes **Pd** for 2 seconds, then displays the prestart delay time. Press the **Set Time** button to change the time. Press **Start / Stop** to advance to the next parameter.
- The display flashes **SL** for 2 seconds, then displays the Maximum Session time. Press the **Set Time** button to change the time. Press **Start / Stop** to advance to the next parameter.
- The display flashes **cd** for 2 seconds, then displays the Cool Down time. Press the **Set Time** button to change the time. Press **Start / Stop** to advance to the next parameter.
- The display flashes **3P** for 2 seconds, then displays the Third Party Interface Mode. Press the **Set Time** button to change the TPI Mode. (See **Table 3**). Press **Start / Stop** to advance to the next parameter.
- The display flashes **r** for 2 seconds, then displays the Run Mode number. Press the **Set Time** button to change the Run Mode. (See **Table 3**). Press **Start / Stop** to advance to the next parameter.



Quick-Start Setup Instructions, v5.3 & v5.4

- The display flashes **P** for 2 seconds, then displays the displays the Pause Mode. Press the **Set Time** button to change the Pause Mode. (See **Table 3**). Press **Start / Stop** to advance to the next parameter.
- The display flashes **Cb** for 2 seconds, then displays the displays the Clean Bed Mode. Press the **Set Time** button to change the Clean Bed Mode. (See **Table 3**). Press **Start / Stop** to advance to the next parameter.
- The display flashes **CC** for 2 seconds, then displays the displays the Clean Clear Mode. Press the **Set Time** button to change the Clean Clear Mode. (See **Table 3**). Press **Start / Stop** to complete setting the Parameters and return to timer operation.

Table 3

	TanTime Control Feature Number	Delay Lamp	Session Lamp	Parameter Letter Code (flashed)	Value Range
Operating Mode	NA	Off	Off	OP	0 = Tantime™ Mode 1 = T-Max® Mode 2 = Intellitan® Mode
Timer Address	1	On	On	Ad	1 to 99
Stand-Alone Delay Time	2	On	Off	Pd	0 to 10 (in minutes)
Maximum Session Time	14	Off	On	SL	2 to maximum chip time ‡
Cool Down Time	9	Off	Off	cd	0 to 10 (in minutes) (Number of minutes after end of a session that a new session can not be started)
Third Party Interface Mode		Off	Off	3P	0 = TPI Mode Inactive 1 = TPI Mode is Active and Parameter setting is complete. Jump to Reset-Sequence
(Only if TPI = 0) Run Mode (<i>Stand-Alone, After Delay</i>) ‡‡	15	Off	Off	r	0 = Bed starts automatically after delay time 1 = After delay, session time runs, but bed does not start until user presses Remote Start / Stop
(Only if TPI = 0) Pause Mode	12	Off	Off	P	0 = When session is paused timer will continue to count down 1 = When session is paused timer will stop counting down
(Only if TPI = 0) Clean Bed	7	Off	Off	Cb	0 = Clean Bed mode disable 1 = Clean Bed mode enabled
(Only if TPI = 0) Clean Clear	11	Off	Off	CC	0 = Press and release will instantly clear 1 = Press and hold button for 4 seconds to clear
Reset-Sequence begins					

* If TPI is set to 1 the Run Mode, Pause Mode, Clean Bed and Clean Bed Clear are all set to 0, Parameter setting is complete, and the Reset-Sequence will begin.

‡ The Maximum time hard programmed into the timer chip.

‡‡ In addition to Run Modes 0 and 1 an “Indefinite Start Delay” may be used by setting time on the timer and NOT pressing **Start / Stop** on the timer. In this manner the session will start only when the user presses the **Remote Start / Stop** button in the room.



Quick-Start Operating Instructions, v5.3 & v5.4

Stand-Alone Operation in Mode 1

Stand-Alone operation is initialized when the Timer is powered on and is NOT connected to an operating front-room-controller or another timer set to address 0. To set an operating parameter see the previous section, **Setting Timer Parameters**. To read or clear a timer meter see **Full Setup and Operating Instructions**. Note that the Timer can not be used in Stand-Alone if the Lockout feature is enabled. (See the operating instructions for your front-room-controller for information on the Lockout feature.)

Running a Tanning Session Manually

The timer must be idle, i.e., ready to use with the display showing "0" and neither the Delay or Session lights illuminated nor flashing. Press the **Set Time** button to advance the displayed value to the desired session time. If the displayed value is greater than desired, you must continue advancing through the Maximum Session Time for your timer. (The Maximum Session Time for your timer is covered in the previous section titled **Setting Timer Parameters**.)

With the desired session time displayed, pressing the **Start / Stop** button will start the tanning session. Note that once a tanning session has been started it will be recorded in the meters even if it is canceled before the booth is turned on. (An "Indefinite Start Delay" may be used by setting time on the timer and NOT pressing **Start / Stop** on the timer. In this manner the tanning booth will start only when the user presses the **Remote Start / Stop** button in the room, if one is provided.)

Terminating a Delay Time Manually

Once a tanning session has been started, if a Stand-Alone Delay time has been set, the display will now show the delay time and the Delay lamp will flash. The delay time may be bypassed and the tanning booth started by pressing the **Start / Stop** button or the **Remote Start / Stop** button in the room if provided. The session time will now be displayed, the Session lamp will flash slow, and the tanning booth will start.

Pausing a Tanning Session Manually

Press the **Start/Stop** (or **Remote Start/Stop** button if provided) once to pause a tanning session. Press the **Start/Stop** (or **Remote Start/Stop** button if provided) again to resume a session.

Note: There must be a minimum of 4 seconds between button presses.

Canceling a Tanning Session Manually

When operating in Stand-Alone and the session has been paused for a minimum of four seconds as described above, the session may then be terminated by pressing the **Set Time** button.

*Note: Canceling a session using the **Set Time** button is disabled while operating under a front-room-controller.*

Clearing a Clean Bed Alert

If the Clean Bed mode is enabled, when the tanning session has been completed the display will be blank and both the **Delay** and **Session** lamps will illuminate. After cleaning the room for the next user, press and hold **Set Time** button or a remote **Start / Stop** if provided, until both the **Delay** and **Session** lamps go out and the display shows "0". (If only the **Session** lamp goes out and the display remains blank, the Cool Down mode has been enabled and must time out. It is not possible to bypass the Cool Down cycle once it has begun.)

Quick-Start Operating Instructions, v5.3 & v5.4

Slave Operation with a T-Max® Style Front-Room-Controller in Mode 1

While in Mode 1 the timer may be connected to and be controlled by a T-Max® front-room-controller or equivalent. In this mode the timer will emulate a 3A® timer. To set or read a control feature or meter see the instructions for your front-room-controller. Most meters may also be read or cleared manually while the timer is operating Stand-Alone, off-line. For more information on this see **Full Setup and Operating Instructions**. While it is recommended that these parameters be changed from the front-room-controller, instructions for manually changing these are found earlier in this manual under “**Setting Timer Parameters**”.

Starting a Session or Canceling Delay Time while under a Front Room Controller

See the documentation for your front-room-controller for setting up and starting a session. If a delay time has been set at the controller, the delay time may be canceled and the session immediately started at the timer by pressing the **Start / Stop** button or by pressing the **Remote Start / Stop** button if provided.

Note: the Delay Time Parameter in the Timer is for Stand-Alone operation only and is not used when connected to a front-room-controller. The delay time must be set in the front-room-controller parameters or the salon software if used. (See your front-room-controller instructions or salon software instructions.)

Pausing, Resuming or Canceling a Session while under a Front Room Controller

Press the **Start/Stop** button (or **Remote Start/Stop** button if provided) once to pause a session. Press the button again to resume a session. While operating under a front-room-controller, the session can be canceled ONLY through the front-room-controller.

(Note: There must be a minimum of 4 seconds between button presses.)

See the documentation for your front-room-controller for running, pausing or canceling a session through the controller.

Clearing a Clean Bed Alert

If the Clean Bed mode is enabled, when the session has been completed the display will be blank and both the **Delay** and **Session** lamps will illuminate. After cleaning the room for the next user, press and hold **Set Time** button, or a **Remote Start/Stop** if provided, until both the **Delay** and **Session** lamps go out and the display shows “0”. (If only the **Session** lamp goes out and the display remains blank, the Cool Down mode has been enabled and must time out. It is not possible to bypass the Cool Down cycle once it has begun.)

Manufacturers Statement

© 2003 EPaD™, Inc. All rights reserved -----

Electronic Programming and Design, Inc. (EPaD™) and the TanTime™ Division retains all ownership rights to all their products, and the contents of this manual. The source code for firmware and the electronic circuitry design are the confidential trade secrets of EPaD™. You may not attempt to decipher, decompile, develop, or otherwise reverse engineer EPaD™ firmware or products. Information necessary to achieve interoperability is furnished upon request.

The information in the manual is furnished for informational use only, is subject to change without notice, and should not be construed as commitment by EPaD™. EPaD™ assumes no responsibility or liability for any errors or inaccuracies that may appear in this manual. No part of this manual may be reproduced, stored in a retrieval system, or transmitted, in any form or by any means, electronic, mechanical, recording, or otherwise, without the express written permission by EPaD™.

Existing artwork or images that you may desire to scan may be protected by copyright law. Be sure to obtain permission for use of existing artwork.

Trademarks: These products carry the trademark of TanTime™ and EPaD™. All the trademarks of component parts used by TanTime™/EPaD™ in the manufacture of these products are the property of the respective owners. The TanTime™ Logo and System™ name and Logo are trademarks of EPaD™. T-Max® and 3A® are registered trademarks of Applied Digital, Inc. (ADI) and are in no way associated with TanTime™ or EPaD™. All other brand or product names are trademarks or registered trademarks of their respective companies or organizations.

Written, designed, and illustrated by Electronic Programming and Design, Inc. P.O. Box 81163, Seattle, WA 98108, USA.