

System™ Power Through Wire Adapter

Part Number
SY-PTW

For connecting RU-XM™,
T-Max® 3A®, or Intellitan®
Timers to Cat-5 Cables.

The System™ Power Through Wire (SY-PTW) is provided to connect power and data through Cat-5 cables to Daisy Chain Room Unit otherwise using 4-wire flat cables and individual AC power modules.

Connecting the Interface

Connect the incoming and outgoing Cat-5 cables to the two 8-position modular jacks on the SY-PTW. Follow the instructions included with your timer to connect the 12VDC to your timer. Connect the 4-position modular plug to either 4-position modular jack on your timer.

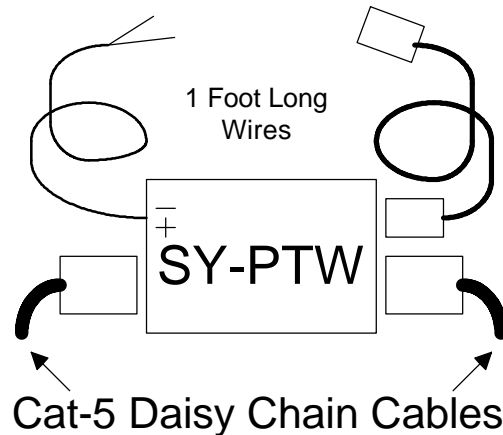
(Do NOT attempt to replace the 1 foot long cables included with longer cables. Doing so may cause data errors in daisy chain communications.)

Supplying Power to the Cat-5 Cable

A Tantime™ System™ Power Adapter Module (SY-PAM) is used to power the Cat-5 cable. Follow instructions included with the SY-PAM.

Room Unit Connections

To Power Input
Terminals To either 4-position
Daisy Chain jack



Why You Should Use Cat-5 Cable Between Timers:

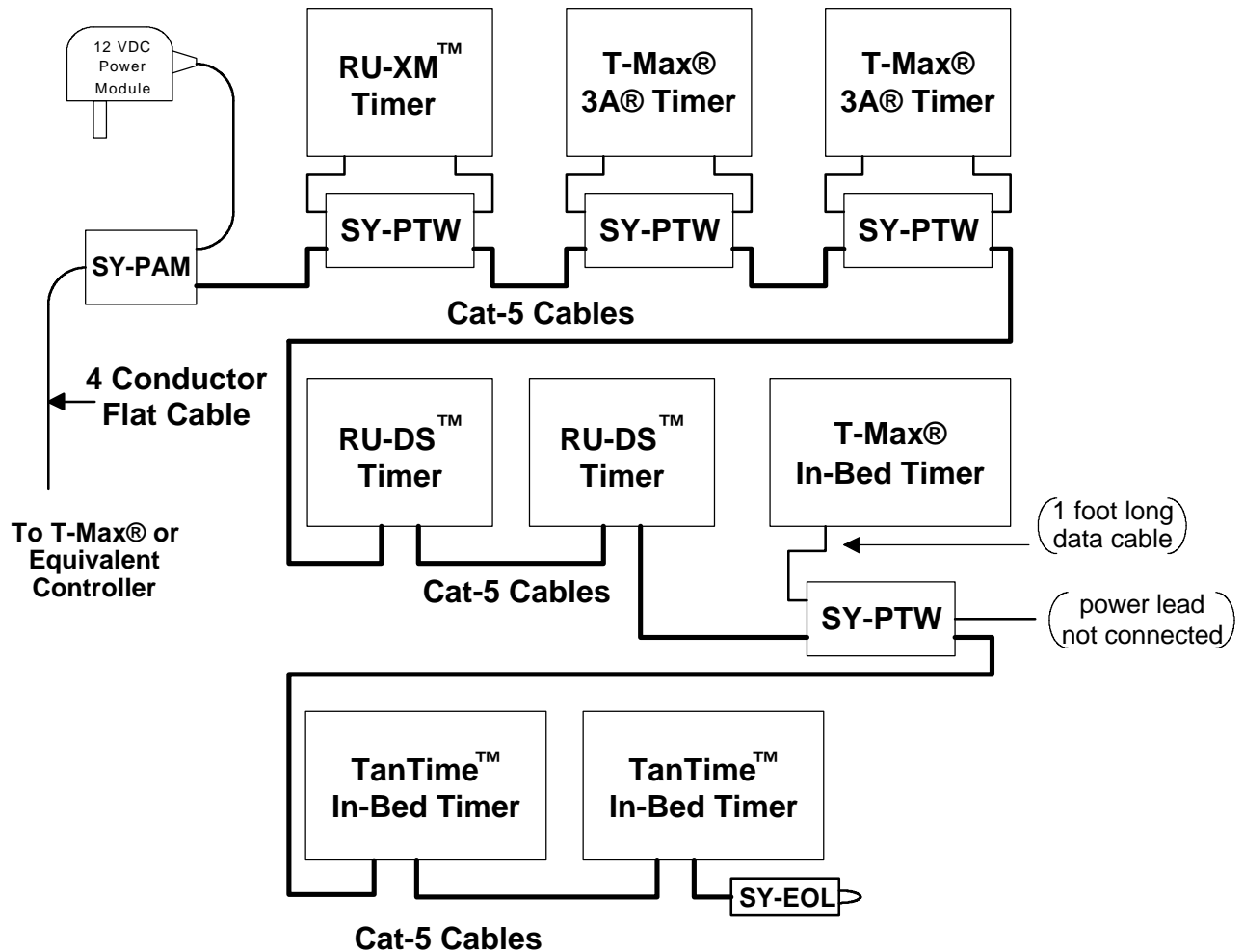
- **More Robust Communications**
- **No AC Plug Needed in the Room**
- **Standard Cable Inexpensive and Available**

Robust Communications - Cat-5 wire contains 4 “twisted pairs” of wire. A “twisted wire pair” is specified by the communication standard used for all daisy chained tanning bed timers. The “twisted wire pair” provides greater noise immunity and provides a more reliable communication network between timers and the front room controller.

Power through the Cable - Since Cat-5 wire uses a total of 8 wires, six of these wires are used to carry power to the timers. This makes the use of dedicated AC power modules for each timer unnecessary. This dramatically reduces the cost and time required to wire and maintain the salon.

Standard Cable - Cat-5 wire is the standard wire used to connect computers to one another in both home and office networks. This means that Cat-5 wire may be easily obtained from a vast variety of sources and for a very reasonable cost.

Figure 1
Multi Room Hookup using
T-Max® or Equivalent Controller



Trademarks: These products carry the trademark of TanTime™ and EPaD™. All the trademarks of component parts used by TanTime™/EPaD™ in the manufacture of these products are the property of the respective owners. The TanTime™ Logo and System™ name and Logo are trademarks of EPaD™. T-Max®, and 3A® are registered trademarks of Applied Digital, Inc. and are in no way associated with TanTime™.

Written, designed, and illustrated by Electronic Programming and Design, Inc. P.O. Box 81163, Seattle, WA 98108, USA.